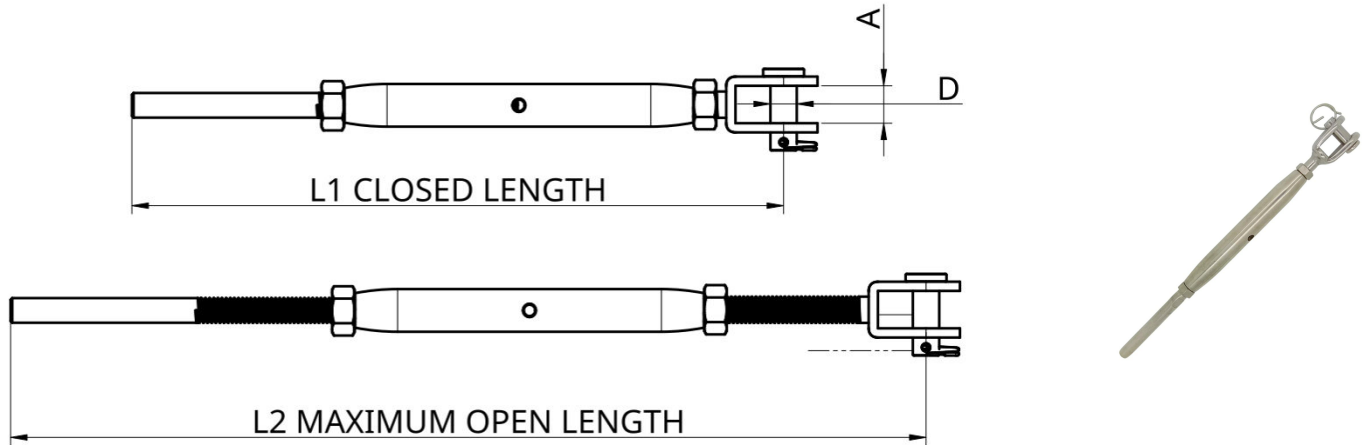


## TECNI 301-211 Series Jaw & Stud Rigging Screw



Material: A4-AISI 316 Stainless Steel

Code	Thread Size	Suitable for Wire Rope size	Dimension A	Dimension D	Dimension L1	Dimension L2
301.211.005	M5	2.5mm	6mm	5mm	155mm	215mm
301.211.006	M6	3mm	7.5mm	6mm	175mm	245mm
301.211.008	M8	4mm	11mm	8mm	200mm	275mm
301.211.010	M10	5mm	12mm	9mm	230mm	320mm
301.211.012	M12	6mm	14mm	12mm	285mm	400mm
301.211.812	M12	8mm	14mm	12mm	305mm	420mm
301.211.016	M16	8mm	17mm	17mm	360mm	500mm
301.211.020	M20	10mm	20mm	20mm	410mm	560mm
301.211.120	M20	12mm	20mm	20mm	410mm	560mm